

VAPOR RECOVERY UNITS (VRU)

Vapor recovery is a critical process in the establishment of oil production facilities. The correct layout makes all the difference in maximizing your tank battery production. Let our engineers design a custom layout that will help you:

- Increase revenues
- Maximize your vapor production (up to 1.2MMCFD)
- Reduce carbon emissions
- Comply with regulations
- Eliminates flaring or venting



INCREASED REVENUE

High BTU content and vaporization rates equate to millions of dollars each year being vented or flared from tank batteries. Let FLOGISTIX test your tank battery. Know how much money you could be making, by knowing how much gas you are losing. Capture every MCF. Capture every dollar.

ENGINEERED PRECISION

Our FX series units capture tank vapors at rates up to 1.2 MMCFD with the precision of ounces instead of pounds. Optimal tank pressures between 4 and 8 ounces keeps blanket gas in your tanks, and keeps O2 out. The precision of FLOGISTIX VRUs are unparalleled in the industry; nobody does it better.

VERSATILITY

Each location is unique. Some wells produce volatile oil at high pressure, others have low pressure systems. Our VRU design can simultaneously draw from high pressure flash separators and low pressure tank batteries. This means you can reduce your equipment footprint from two compressors to one. The dual-stream versatility of the Flogistix VRU gives you the best of both worlds.

REDUCED EMISSIONS

“Direct methane emissions released to the atmosphere (without burning) are about 21 times more powerful than CO2 in terms of their warming effect on the atmosphere” (EPA 2010). What does this mean for you? Venting 50 MCFD from your tanks equates to over 20,000 tons of CO2e released each year. Vapor Recovery Units from FLOGISTIX not only capture this fugitive gas, but emit less than ten tons per year. Go with our electric units and enjoy ZERO emissions. Put an end to venting and flaring. It’s economical. It’s responsible. It’s the law.

REGULATORY COMPLIANCE

Many states, in complying with the Clean Air Act, now require you to report methane and CO2e emissions. Report reduced emissions with clean burning natural gas VRU. Report ZERO emissions with an electric VRU. FLOGISTIX products are certified to keep you in compliance.

*EPA (2010). Inventory of U.S Greenhouse Gas Emissions and Sinks: 1990-2008. Annex 2 (Methodology for estimating CO2 emissions from fossil fuel combustion), P.A-75. U.S Environmental Protection Agency, Washington, DC. U.S EPA #430-R-10-006

VAPOR RECOVERY UNITS (VRU)

Vapor recovery is a critical process in the establishment of oil production facilities. The correct layout makes all the difference in maximizing your tank battery production. Let our engineers design a custom layout that will help you:

- Increase revenues
- Maximize your vapor production (up to 1.2MMCFD)
- Reduce carbon emissions
- Comply with regulations
- Eliminates flaring or venting



INCREASED REVENUE

High BTU content and vaporization rates equate to millions of dollars each year being vented or flared from tank batteries. Let FLOGISTIX test your tank battery. Know how much money you could be making, by knowing how much gas you are losing. Capture every MCF. Capture every dollar.

ENGINEERED PRECISION

Our FX series units capture tank vapors at rates up to 1.2 MMCFD with the precision of ounces instead of pounds. Optimal tank pressures between 4 and 8 ounces keeps blanket gas in your tanks, and keeps O2 out. The precision of FLOGISTIX VRUs are unparalleled in the industry; nobody does it better.

VERSATILITY

Each location is unique. Some wells produce volatile oil at high pressure, others have low pressure systems. Our VRU design can simultaneously draw from high pressure flash separators and low pressure tank batteries. This means you can reduce your equipment footprint from two compressors to one. The dual-stream versatility of the Flogistix VRU gives you the best of both worlds.

REDUCED EMISSIONS

“Direct methane emissions released to the atmosphere (without burning) are about 21 times more powerful than CO2 in terms of their warming effect on the atmosphere” (EPA 2010). What does this mean for you? Venting 50 MCFD from your tanks equates to over 20,000 tons of CO2e released each year. Vapor Recovery Units from FLOGISTIX not only capture this fugitive gas, but emit less than ten tons per year. Go with our electric units and enjoy ZERO emissions. Put an end to venting and flaring. It’s economical. It’s responsible. It’s the law.

REGULATORY COMPLIANCE

Many states, in complying with the Clean Air Act, now require you to report methane and CO2e emissions. Report reduced emissions with clean burning natural gas VRU. Report ZERO emissions with an electric VRU. FLOGISTIX products are certified to keep you in compliance.

*EPA (2010). Inventory of U.S Greenhouse Gas Emissions and Sinks: 1990-2008. Annex 2 (Methodology for estimating CO2 emissions from fossil fuel combustion), P.A-75. U.S Environmental Protection Agency, Washington, DC. U.S EPA #430-R-10-006

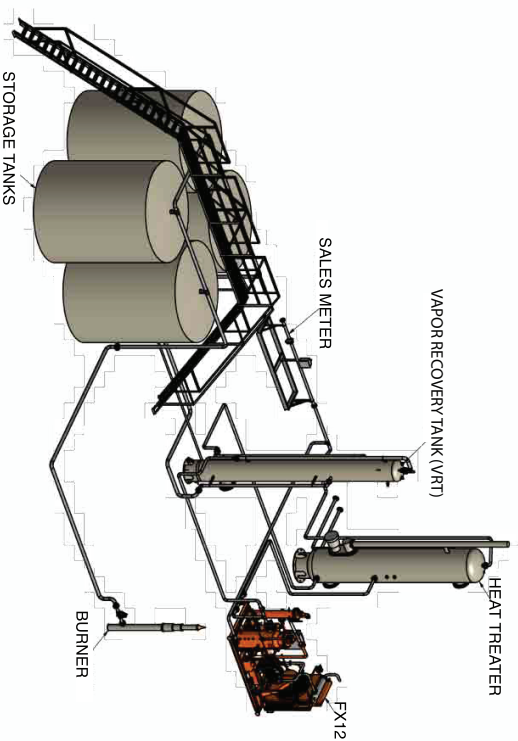
“MAXIMIZE YOUR RESOURCES”

FLOGISTIX
.....

“MAXIMIZE YOUR RESOURCES”

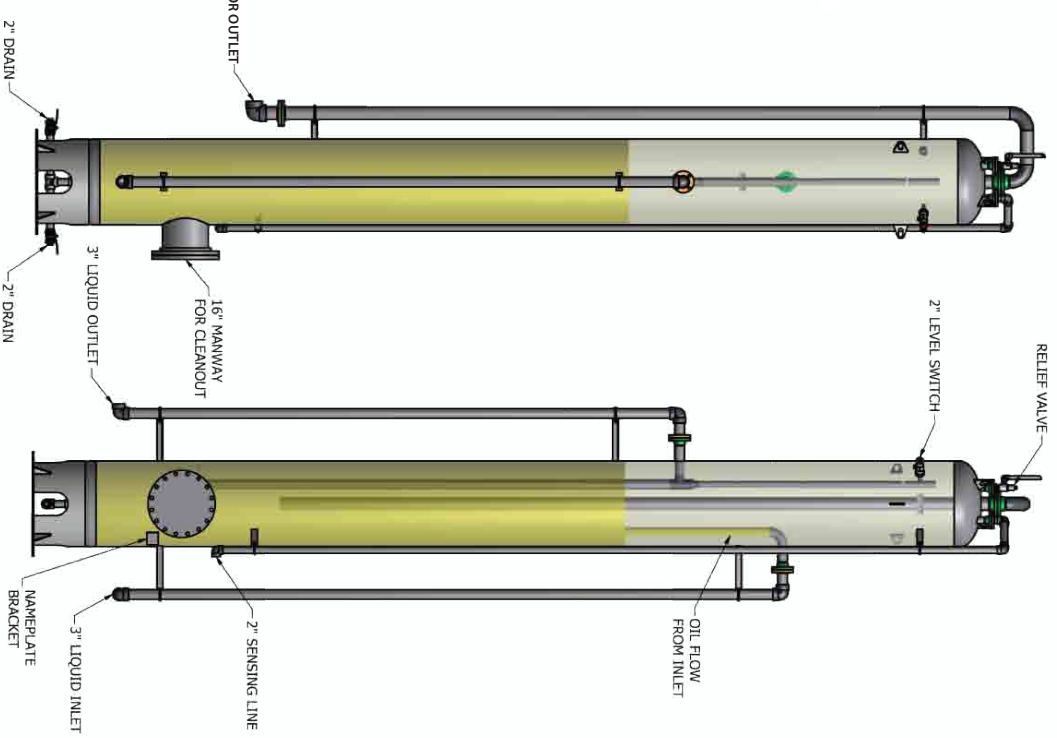
FLOGISTIX
.....

A



ASME Code Vessels

B



C

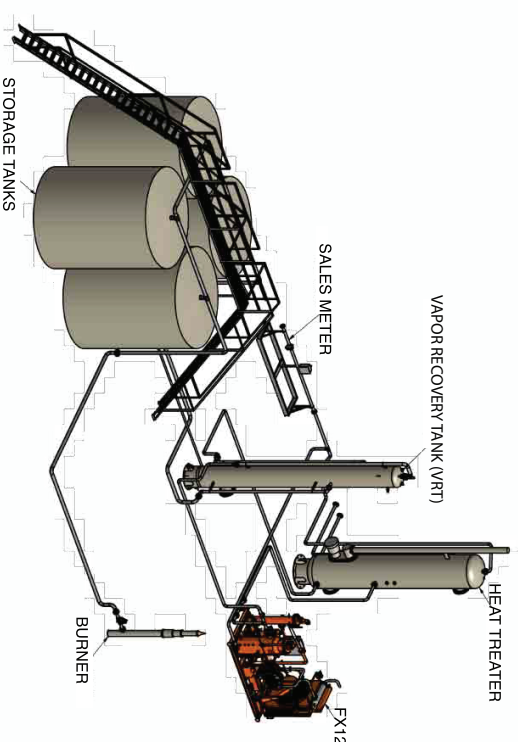


A) Aerial rendering of location layout

B) Detailed rendering of Vapor Recovery Tower

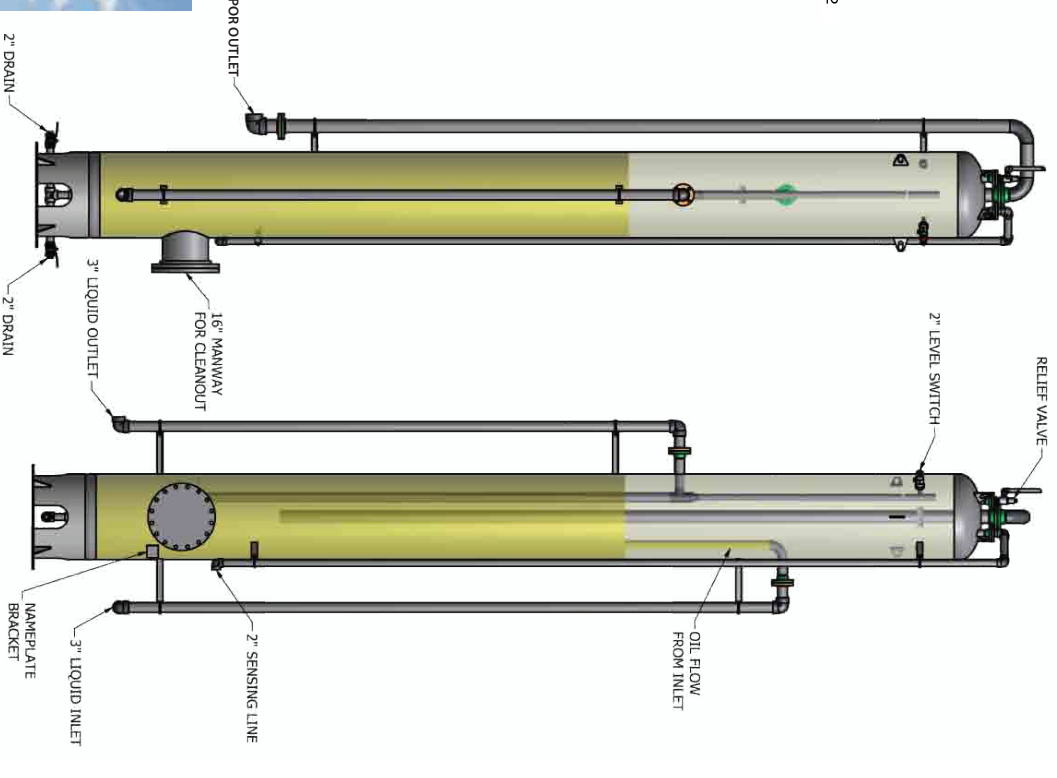
C) Photo of VRU application in Ardmore, OK

A



ASME Code Vessels

B



C



A) Aerial rendering of location layout

B) Detailed rendering of Vapor Recovery Tower

C) Photo of VRU application in Ardmore, OK

Contact Us



6529 N. Classen Blvd.
Oklahoma City, OK 73116



405-536-0000



405-536-0020



www.flogistix.com

Contact Us



6529 N. Classen Blvd.
Oklahoma City, OK 73116



405-536-0000



405-536-0020



www.flogistix.com